

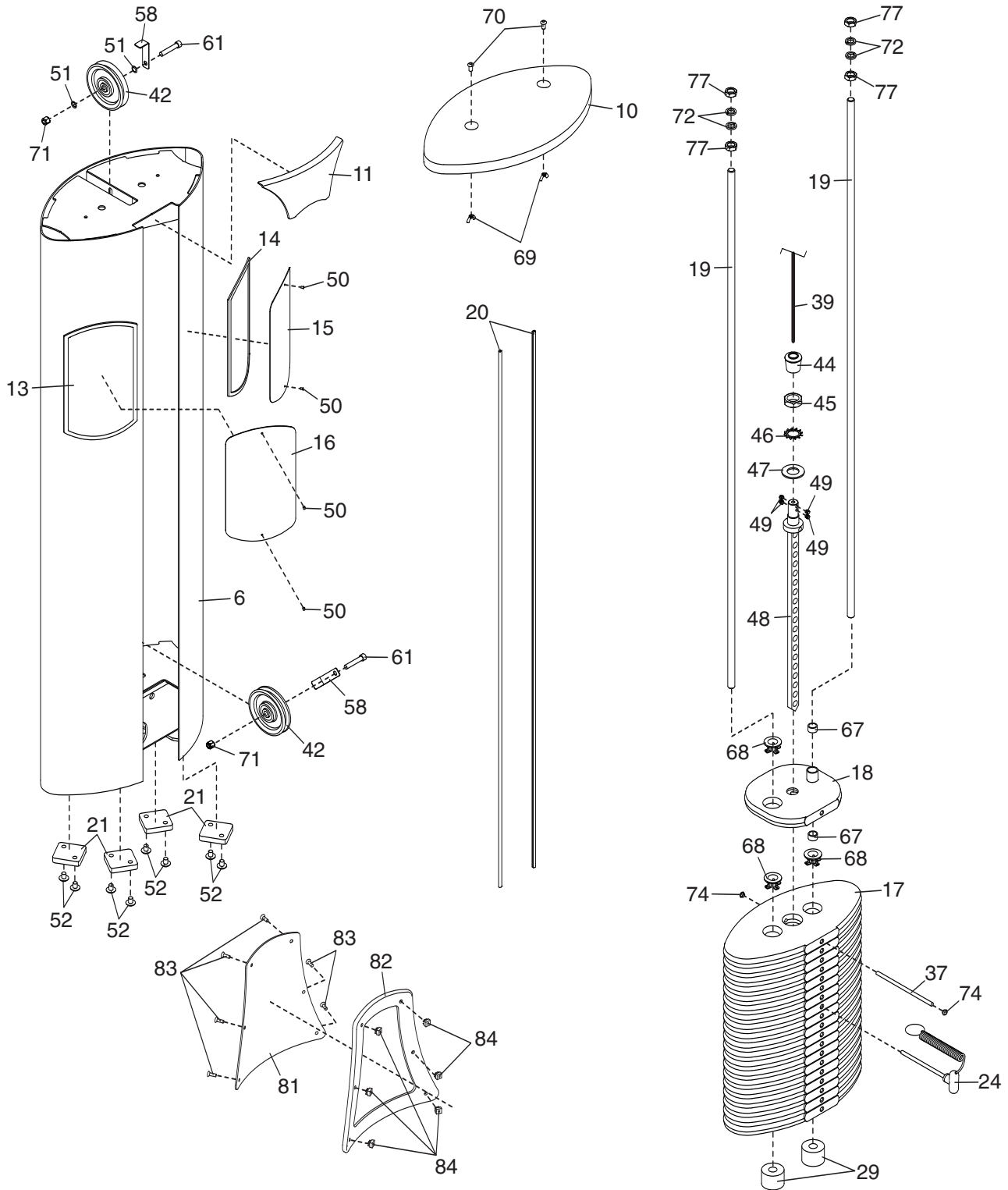
GZFI8136.2

Key	Part Number	Description	Qty.
1	GZ5531	BASE	1
2	GZ5685	SEAT FRAME	1
3	GZ5684	BACKREST FRAME	1
4	GZ5533	PRESS FRAME	1
5	GZ9426	FOOT PLATE	1
6	GZ5511	TOWER	1
7	GZ30832	BASE COVER	1
8	GZ5108-04	BACKREST	1
9	GZ5108-05	SEAT	1
10	GZ3453	LOWER CAP	1
11	GZ3516	COVER	1
12	GZ1486	BASE FOOT	3
13	GZ1566	LONG PLATE FRAME	1
14	GZ1567	SHORT PLATE FRAME	1
15	GZ30347	SHORT PANEL	1
16	GZ30348	LONG PANEL	1
17	GZ30599	20-LB. WEIGHT	19
18	GZ4392	TOP WEIGHT	1
19	GZ3248-10	WEIGHT GUIDE	2
20	GZ1504	TRIM	2
21	GZ1517	TOWER FOOT	4
22	GZ1741	BASE CAP	1
23	GZ30218	ANCHOR STRAP	1
24	GZ1754	WEIGHT PIN	1
25	GZ1730	FOAM GRIP	2
26	GZ1758	HANDLE COLLAR	2
27	GZ1004	Release Handle	1
28	GZ1730	HANDLE FOAM GRIP	1
29	GZ1678	WEIGHT BUMPER	2
30	GZ1757	HANDLE ENDCAP	2
31	GZ3073-10	PRESS FRAME AXLE	1
32	GZ1011-01	BEARING	2
33	GZ1739	FRONT SEAT SPACER	1
34	GZ3304	BOTTOM SEAL SPACER	1
35	169662	1/2" X 3/4" BUTTON BOLT	2
36	GZ1014-01	NON-PATCH BOLT	6
37	GZ30786	NEIGHT ROD	1
38	GZ1018-07	SNAP RING	2
39	GZ5020-35	CABLE	1
40	GZ1063	CABLE END	1
41	GZ1744	CABLE BUSHING	2
42	GZ1003-08	PULLEY	5
43	GZ1052	1" NYLON WASHER	2
44	GZ1353	COUPLER COVER	1
45	GZ1418	1" NUT	1
46	GZ1419	LARGE STAR WASHER	1
47	GZ1431	LARGE WASHER	1
48	GZ5534	WEIGHT TUBE	1
49	GZ1673	SET SCREW	4
50	GZ1021-01	RIVET	8
51	GZ1069	3/8" SERRATED WASHER	5
52	GZ1012-07	3/8" X 1/2" BUTTON SCREW	14
53	GZ1743	STOP SLEEVE	2
54	GZ1009-03	1/2" X 1 1/4" BOLT	2
55	CC1039	1/2" X 3/4" COUNTERSINK	6
56	GZ1152	3/8" X 1" BOLT	4
57	GZ1013-02	3/8" X 1 3/4" BOLT	1
58	GZ3102	CABLE TRAP	3
59	GZ5124-08	BACKREST COVER	1

60	GZ1740	1/2" X 2 1/2" BOLT	2
61	GZ1013-04	3/8" X 2" BOLT	3
62	GZ1100	BUMPER	2
63	GZ1012-16	5/16" X 5/8" SCREW	2
64	GZ7385	POSITION INDICATOR	1
65	GZ1014-05	3/8" X 2 1/4" BOLT	2
66	GZ1742	1/4" ROUND INNER CAP	2
67	GZ1020	GUIDE BUSHING	2
68	GZ1391-01	WEIGHT INSERT	39
69	GZ1430	WING NUT	2
70	174796	1/4" X 1" BUTTON BOLT	2
71	GZ1007	3/8" NUT	8
72	GZ1085	5/8" LOCK WASHER	4
73	GZ1083	3/8" FINE THREAD NUT	1
74	194353	1/2" ROUND INNER CAP	2
75	GZ1094	1/4" NUT	2
76	GZ1012-15	1/4" X 2" BOLT	2
77	GZ1084	5/8" NUT	4
78	GZ1110	1/2" PLASTIC WASHER	4
79	GZ1738	REAR SEAT SPACER	1
80	GZ1761	SMALL SET SCREW	12
81	GZ30828	REAR ACCESS PANEL	1
82	GZ1751	ACCESS PANEL GASKET	1
83	192770	1/4" X 3/4" SCREW	6
84	GZ1735	1/4" CAGE NUT	6
85	GZ9436	YELLOW HANDLE ENDCAP	2
	0	NON-ILLUSTRATED PARTS	0
		WHAT PART IS NEEDED?	
#	GZ7418	USER'S MANUAL	1
#	GZ7418FR	USER'S MANUAL	1
#	GZ7418G	USER'S MANUAL	1
#	GZ7418IT	USER'S MANUAL	1
#	GZ7418SP	USER'S MANUAL	1
		WHAT PART IS NEEDED?	
#	GZ7005	DECAL,MOVING PARTS	1
#	GZ7005FR	DECAL,MOVING PARTS	1
#	GZ7005G	DECAL,MOVING PARTS	1
#	GZ7005IT	DECAL,MOVING PARTS	1
#	GZ7005SP	DECAL,MOVING PARTS	1
		WHAT PART IS NEEDED?	
#	GZ7026	DECAL,SELECTOR PIN INSERT	1
#	GZ7026FR	DECAL,SELECTOR PIN INSERT	1
#	GZ7026G	DECAL,SELECTOR PIN INSERT	1
#	GZ7026IT	DECAL,SELECTOR PIN INSERT	1
#	GZ7026SP	DECAL,SELECTOR PIN INSERT	1
		WHAT PART IS NEEDED?	
#	GZ7003	DECAL,WARNING,EXT,1-10 PT	1
#	GZ7003FR	DECAL,WARNING,EXT,1-10 PT	1
#	GZ7003G	DECAL,WARNING,EXT,1-10 PT	1
#	GZ7003IT	DECAL,WARNING,EXT,1-10 PT	1
#	GZ7003SP	DECAL,WARNING,EXT,1-10 PT	1
		WHAT PART IS NEEDED?	
#	208842	DECAL, WRNG, KEEP CLEAR	2
#	GZ7274FR	DECAL, KEEP CLEAR	2
#	GZ7274G	DECAL, KEEP CLEAR	2
#	GZ7274IT	DECAL, KEEP CLEAR	2
#	GZ7274SP	DECAL, KEEP CLEAR	2

EXPLODED DRAWING A—Model No. GZFI8136.2

R0108A



EXPLODED DRAWING B—Model No. GZFI8136.2

R0108A

